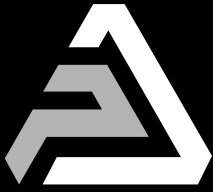


INSTALLATION INSTRUCTION

DIVIDER
(Complete kit)



PICKUPATTITUDE.COM

QUESTIONS BEFORE INSTALLATION ?



CONTACT@PICKUPATTITUDE.COM

+33 4 94 00 37 00



N° SIRET : 492 664 172 00029



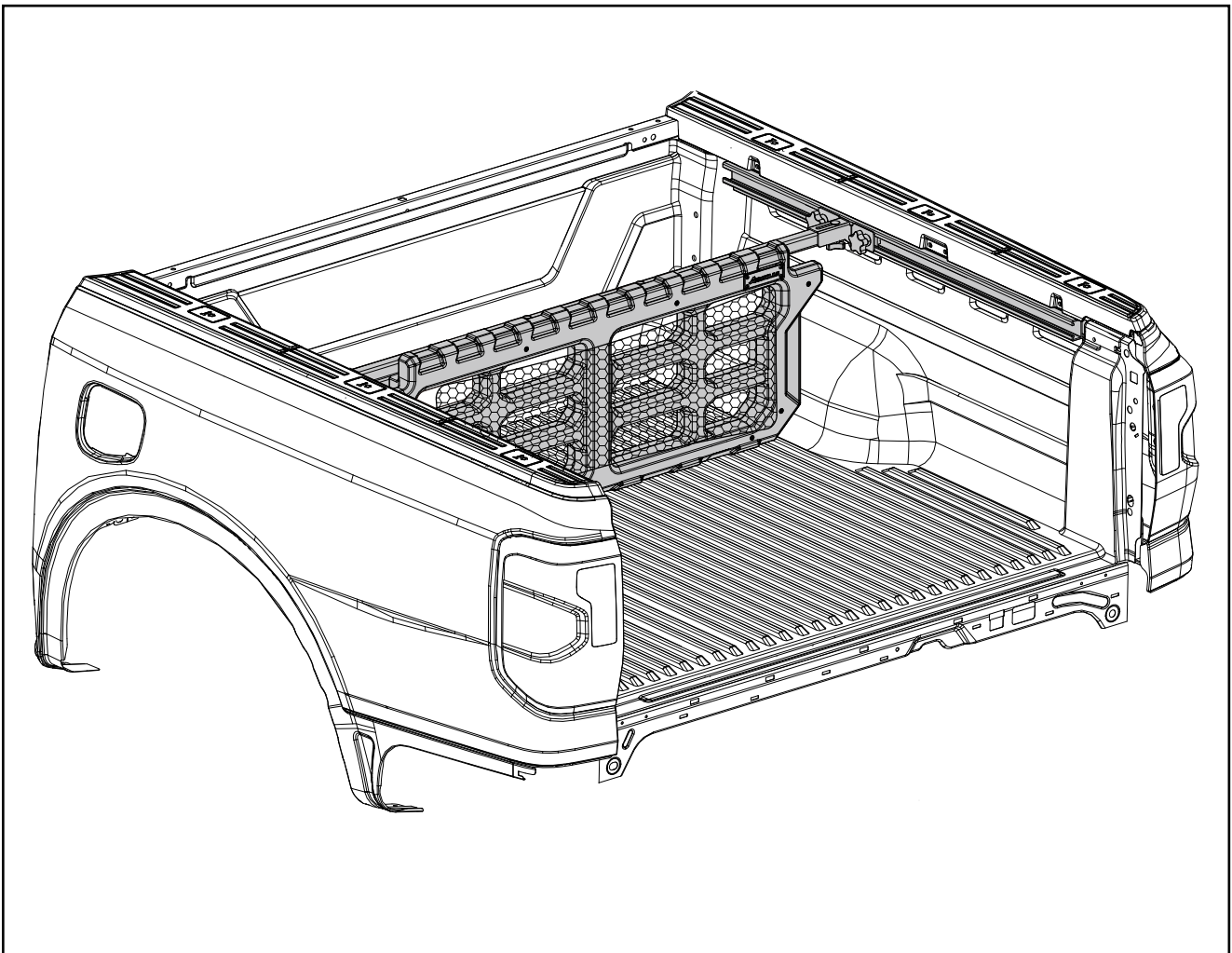
RANGER

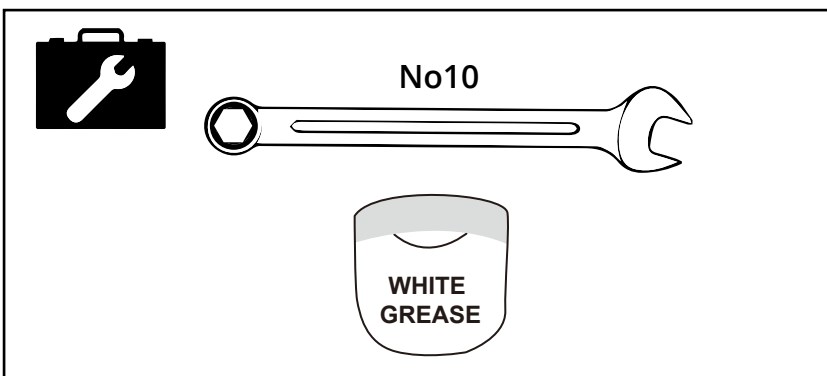
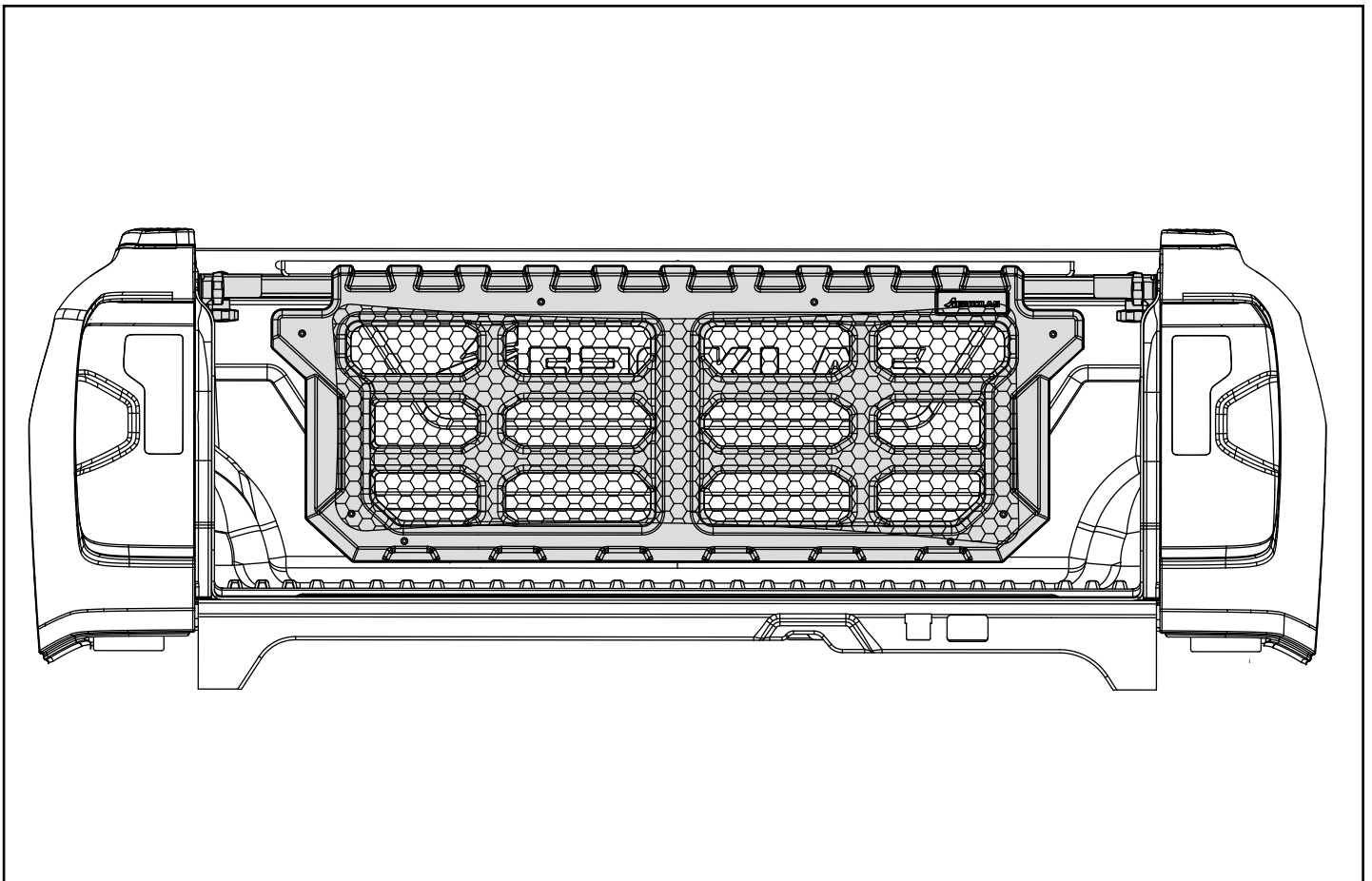
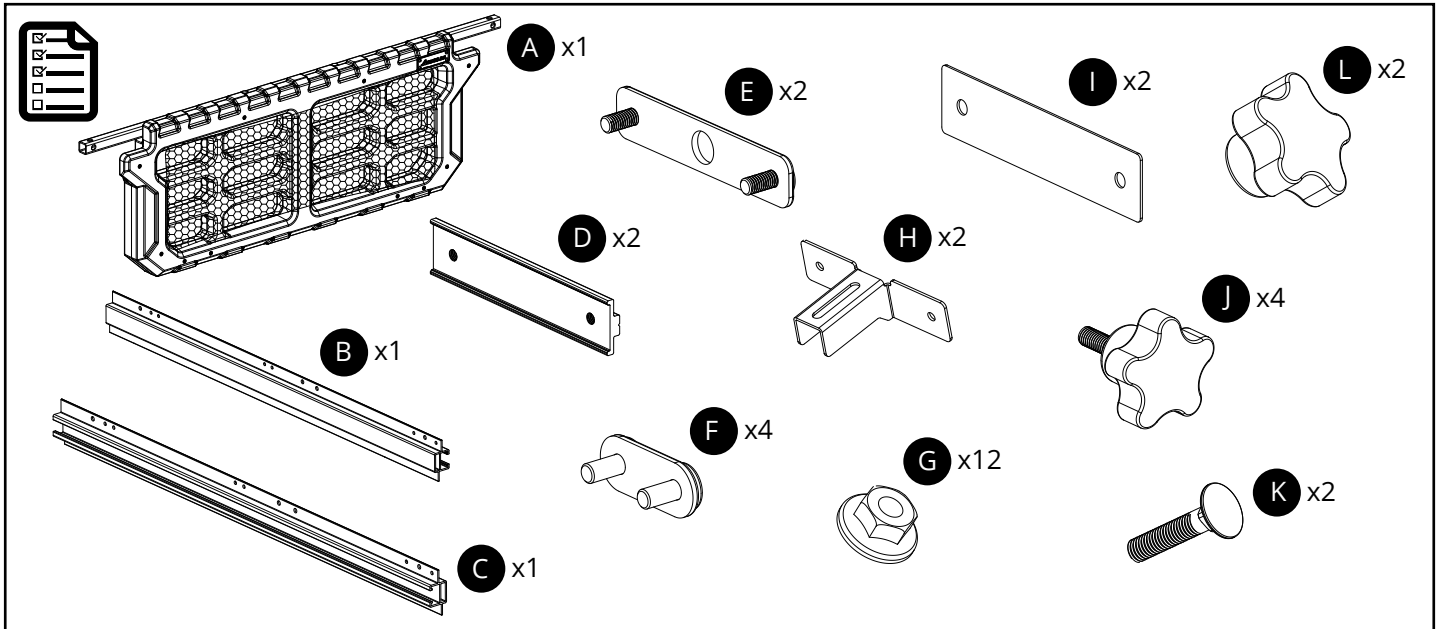
Fitted Ford Ranger **P703**

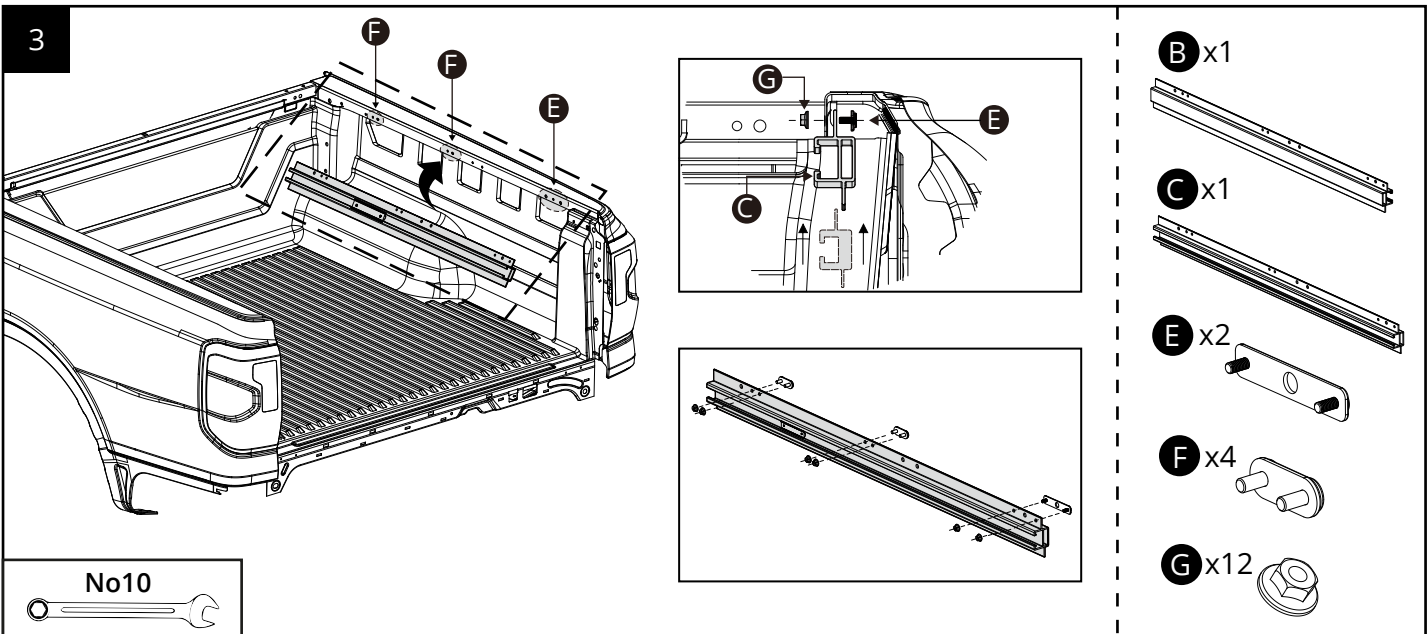
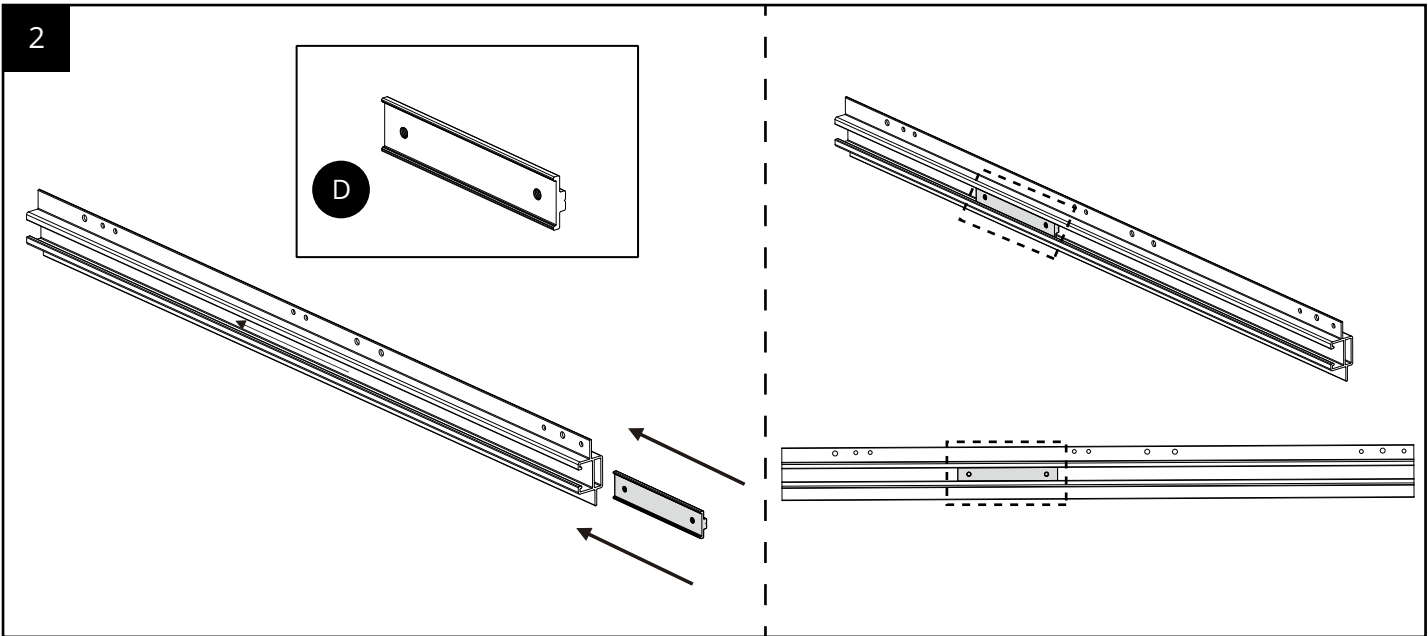
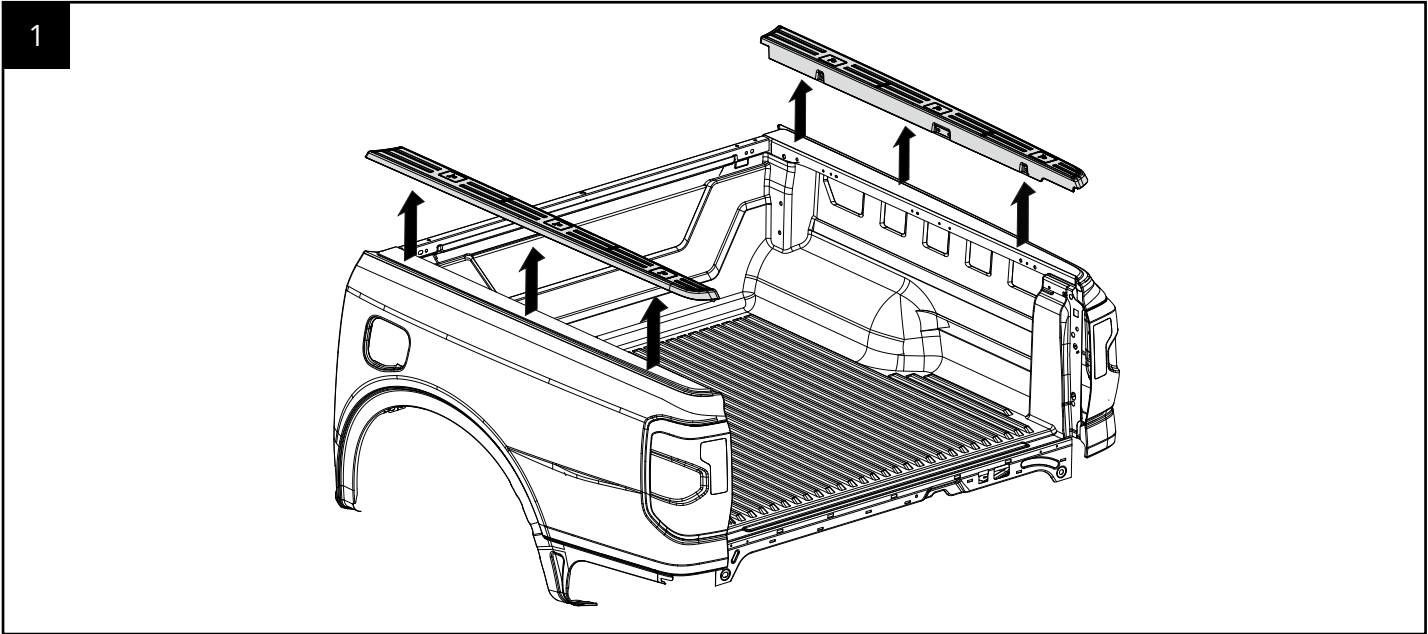


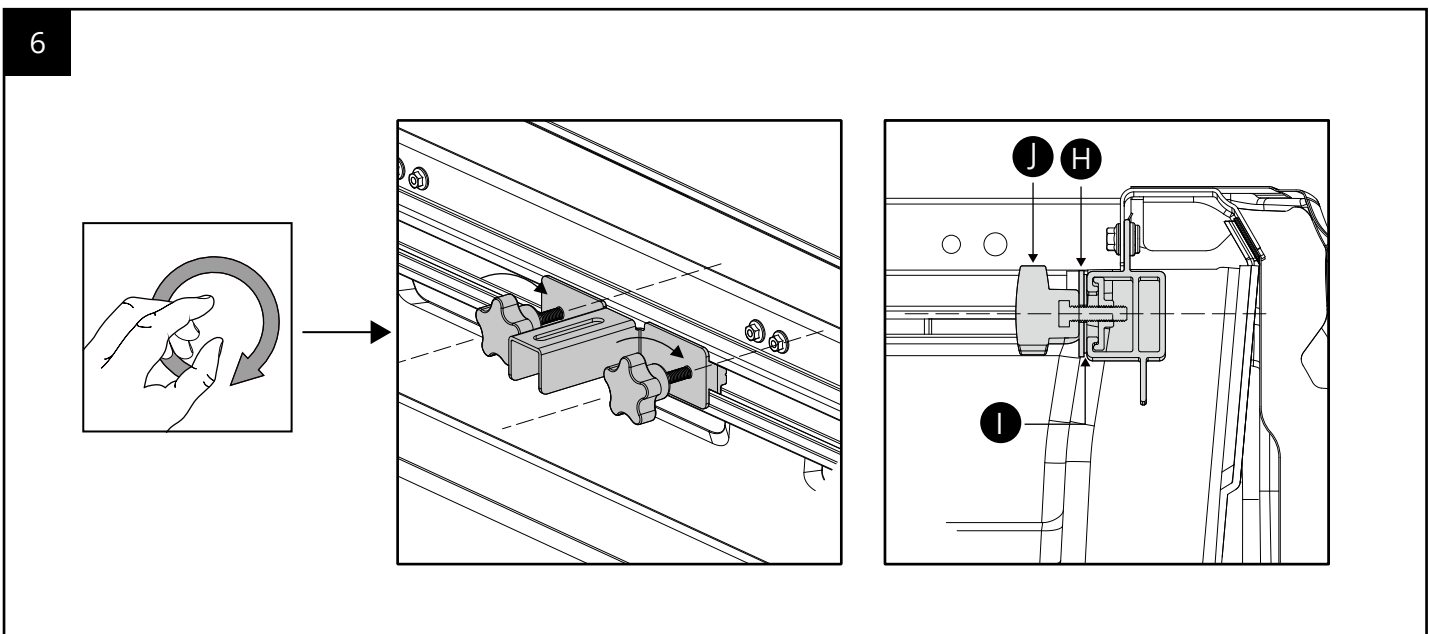
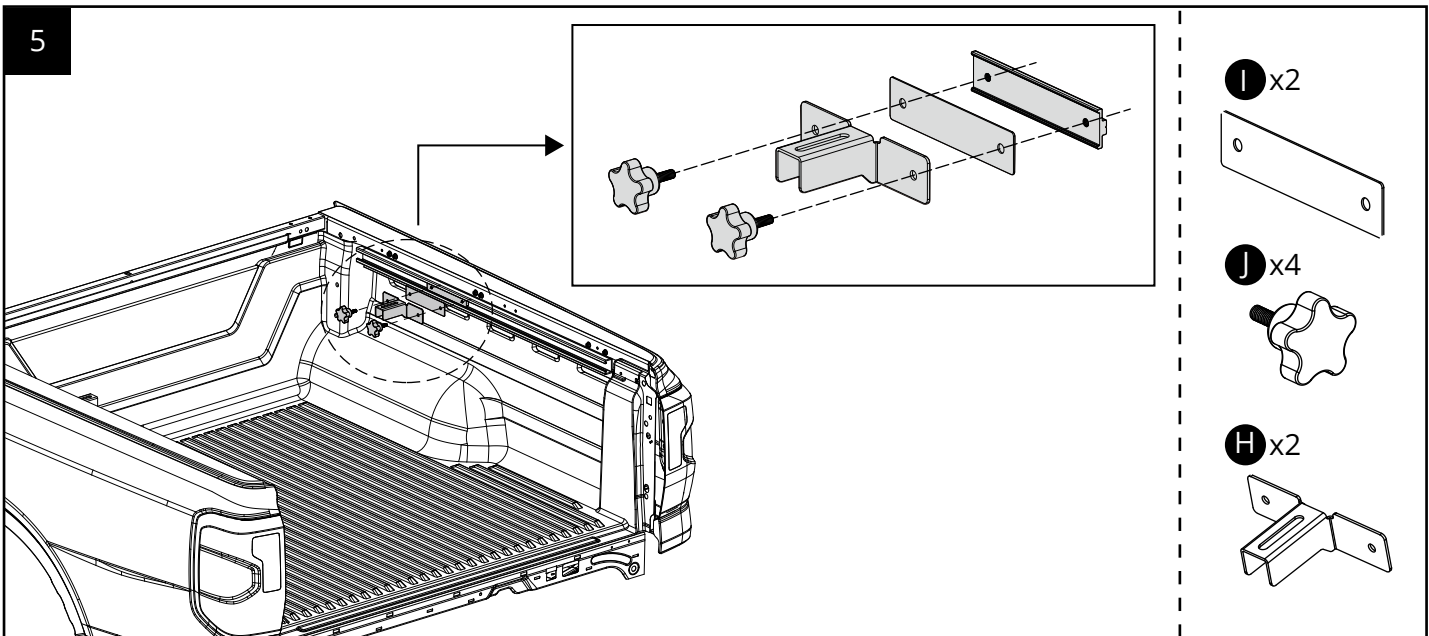
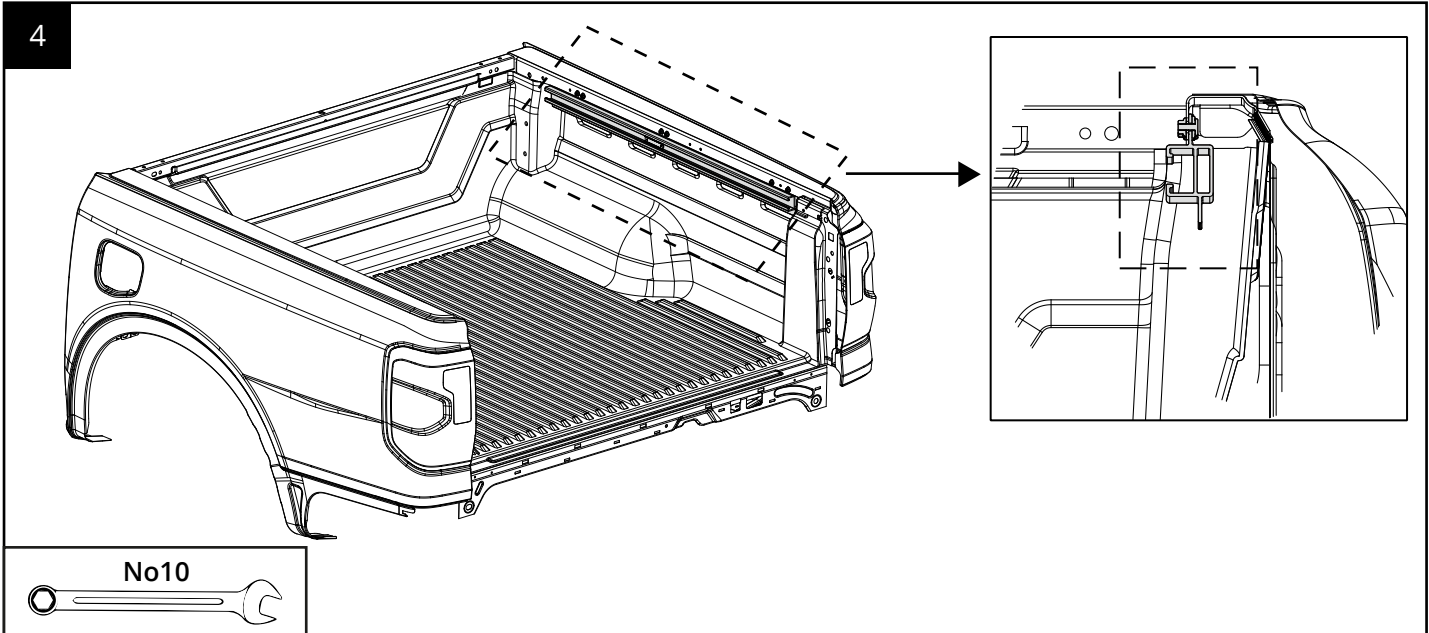
INSTALLATION MANUAL DIVIDER (Complete kit)

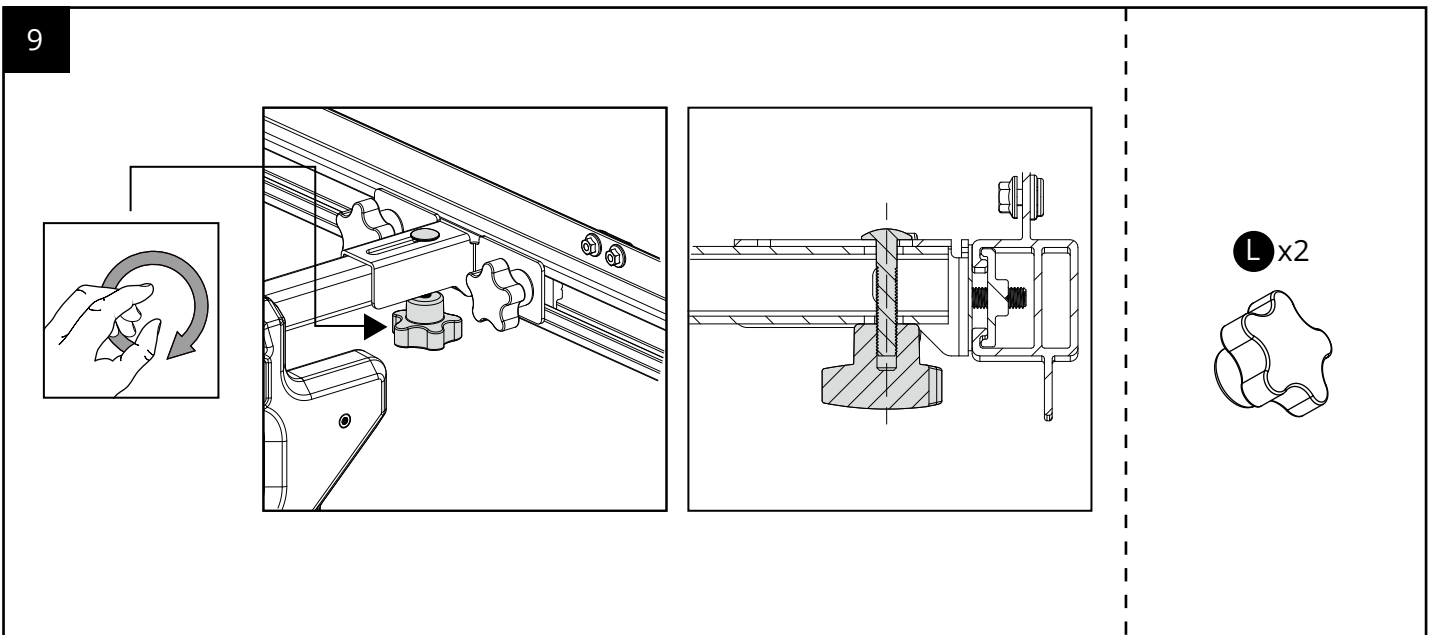
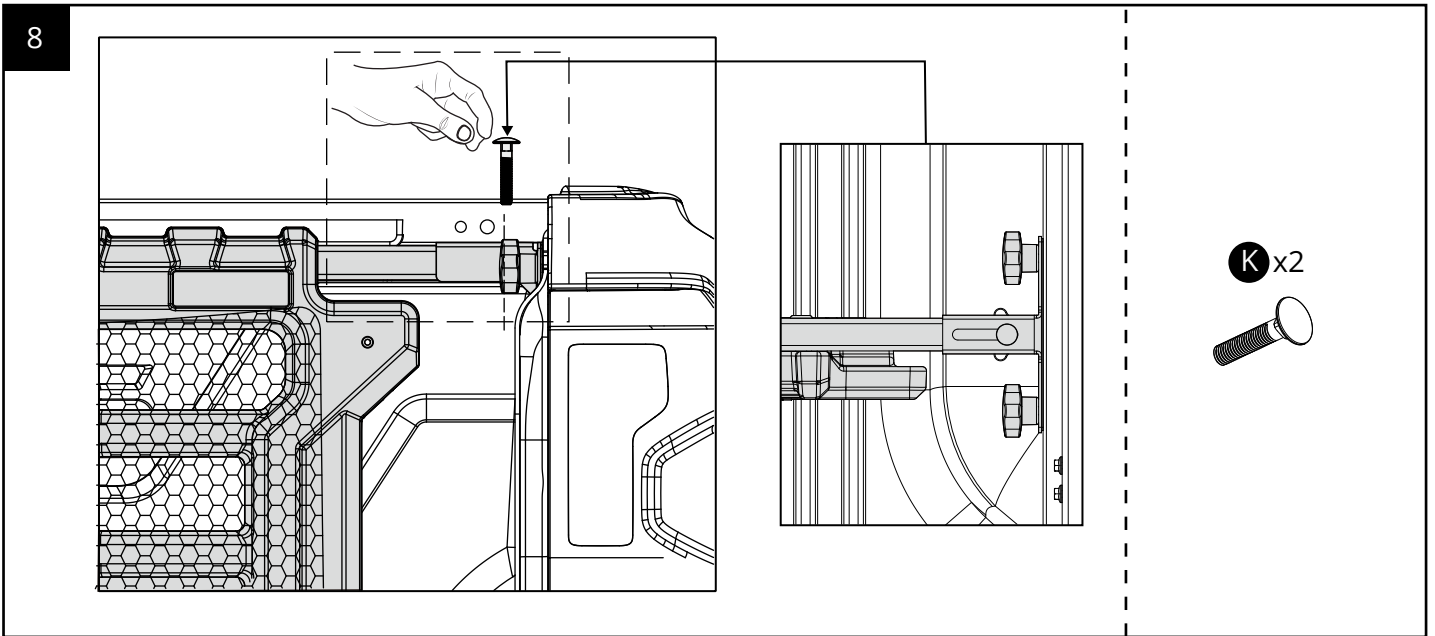
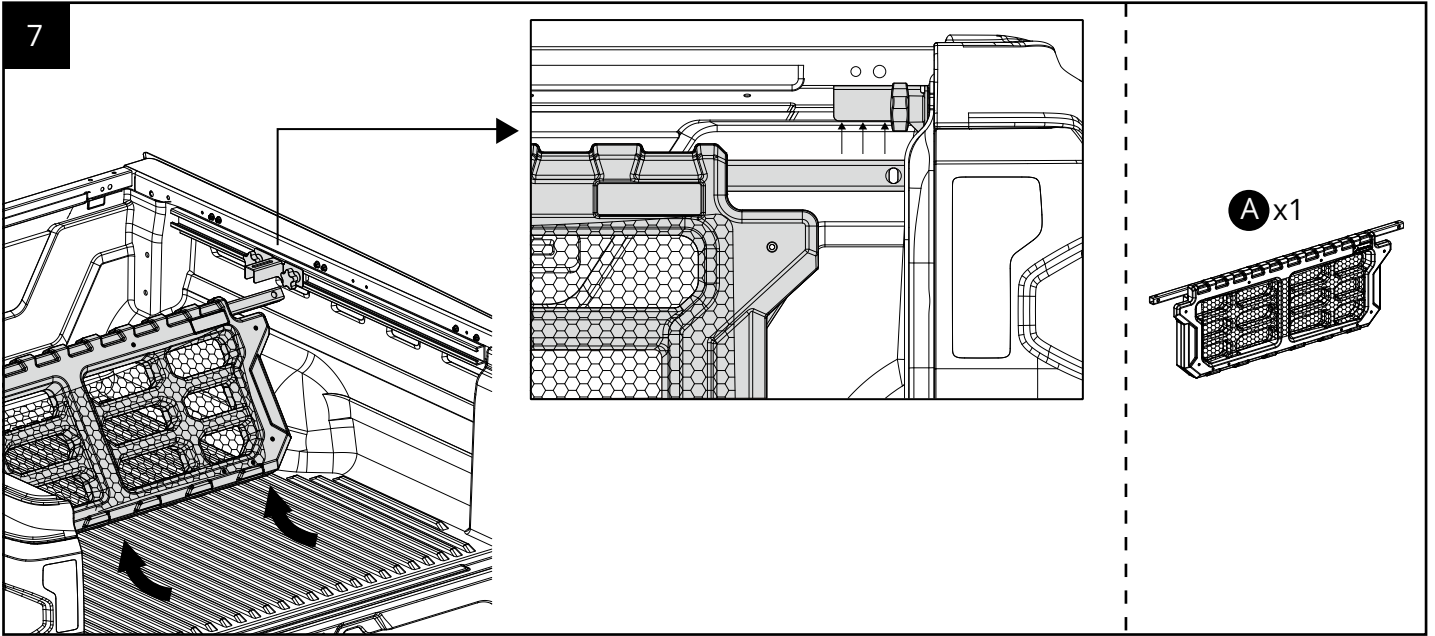
Fit time: 45 mins



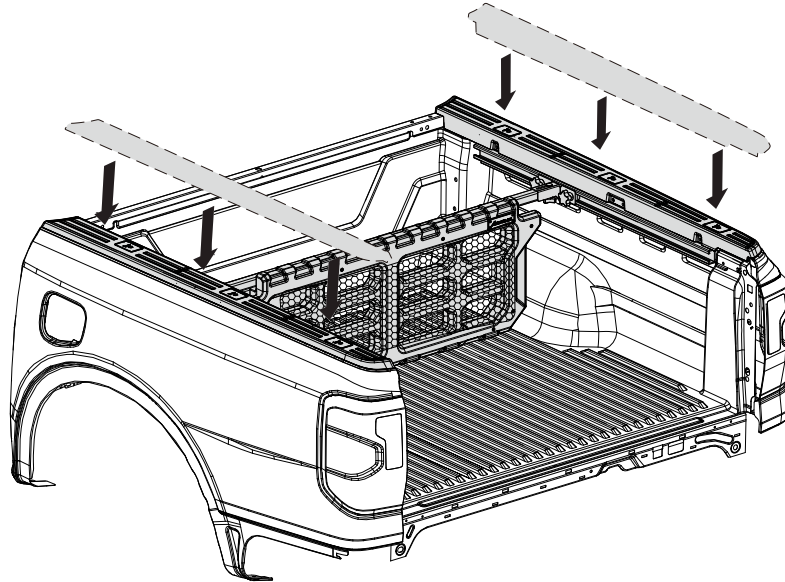




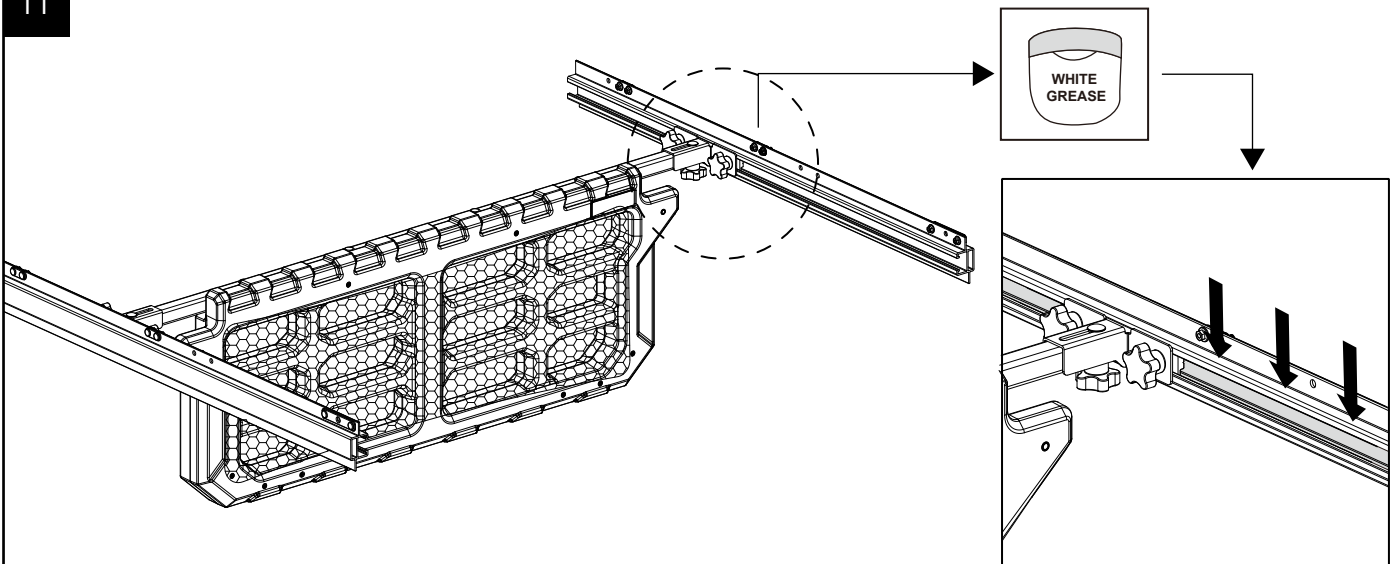




10



11



PICKUPATTITUDE.COM

QUESTIONS BEFORE INSTALLATION ?



CONTACT@PICKUPATTITUDE.COM

+33 4 94 00 37 00



N° SIRET : 492 664 172 00029