

INSTALLATION INSTRUCTION

ALUMINIUM CANOPY BLACK MATT (SUPER CAB)



PICKUPATTITUDE.COM

QUESTIONS BEFORE INSTALLATION ?



CONTACT@PICKUPATTITUDE.COM

+33 4 94 00 37 00



N° SIRET : 492 664 172 00029



RANGER

Fitted Ford Ranger
P703 SUPER Cab
ALUMINIUM CANOPY

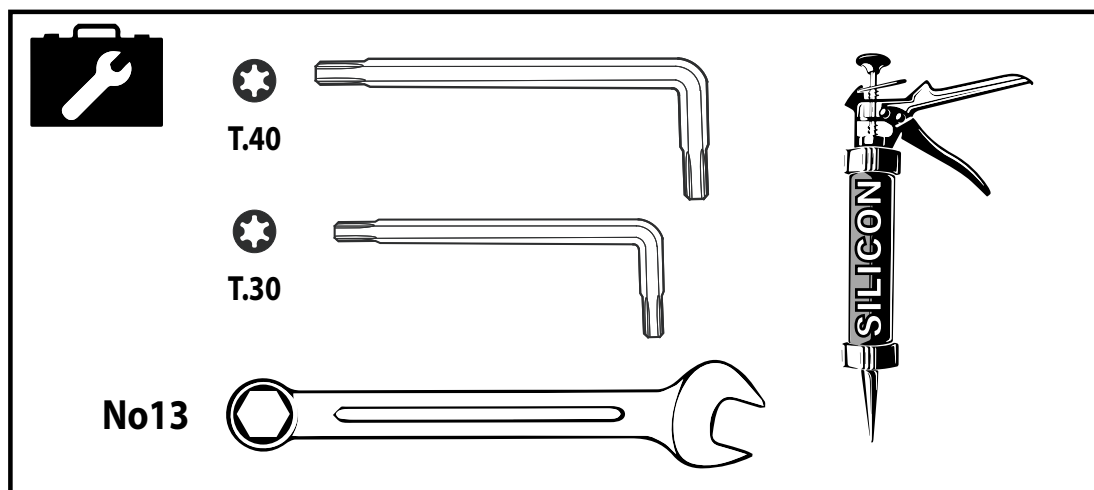
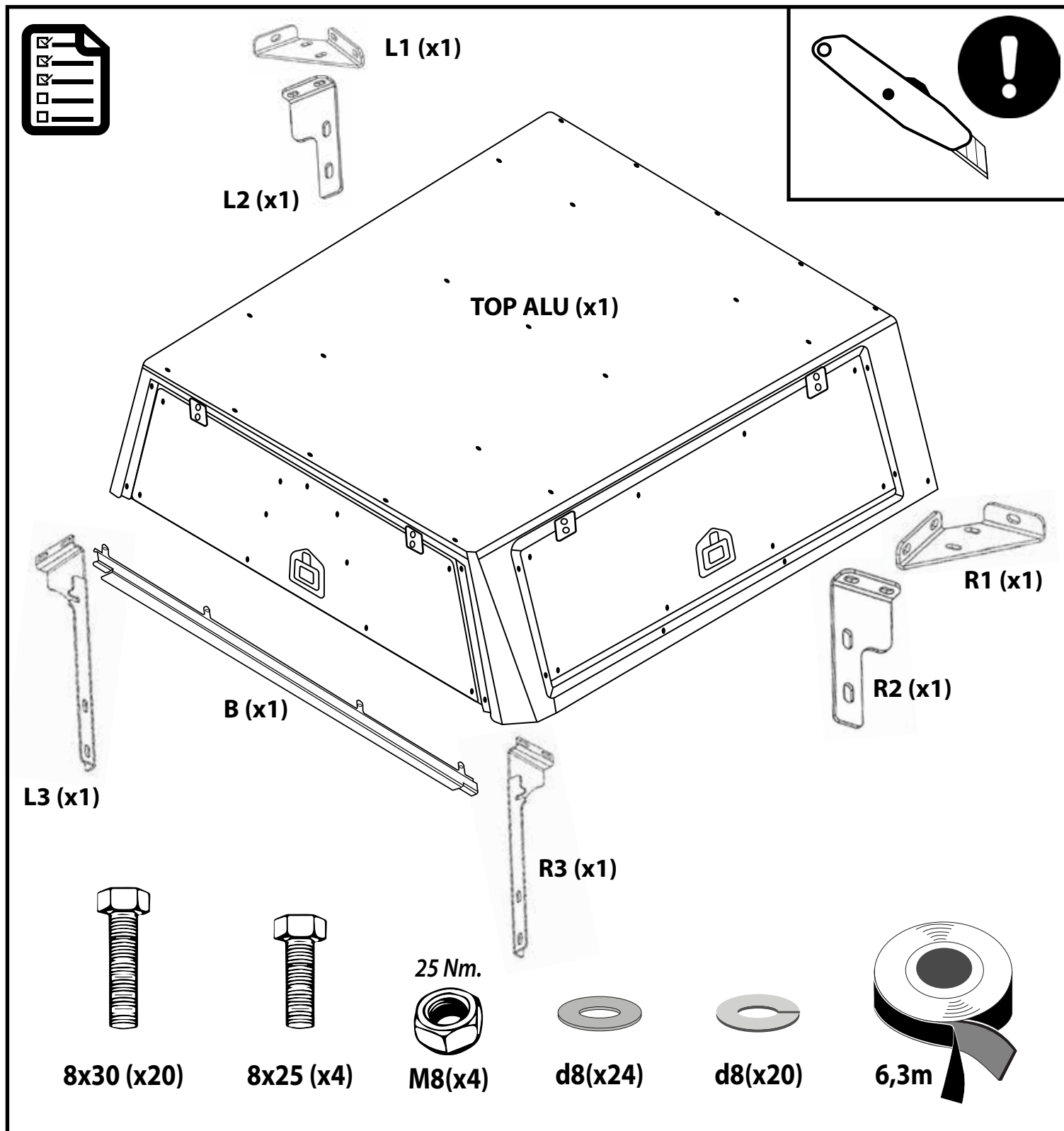


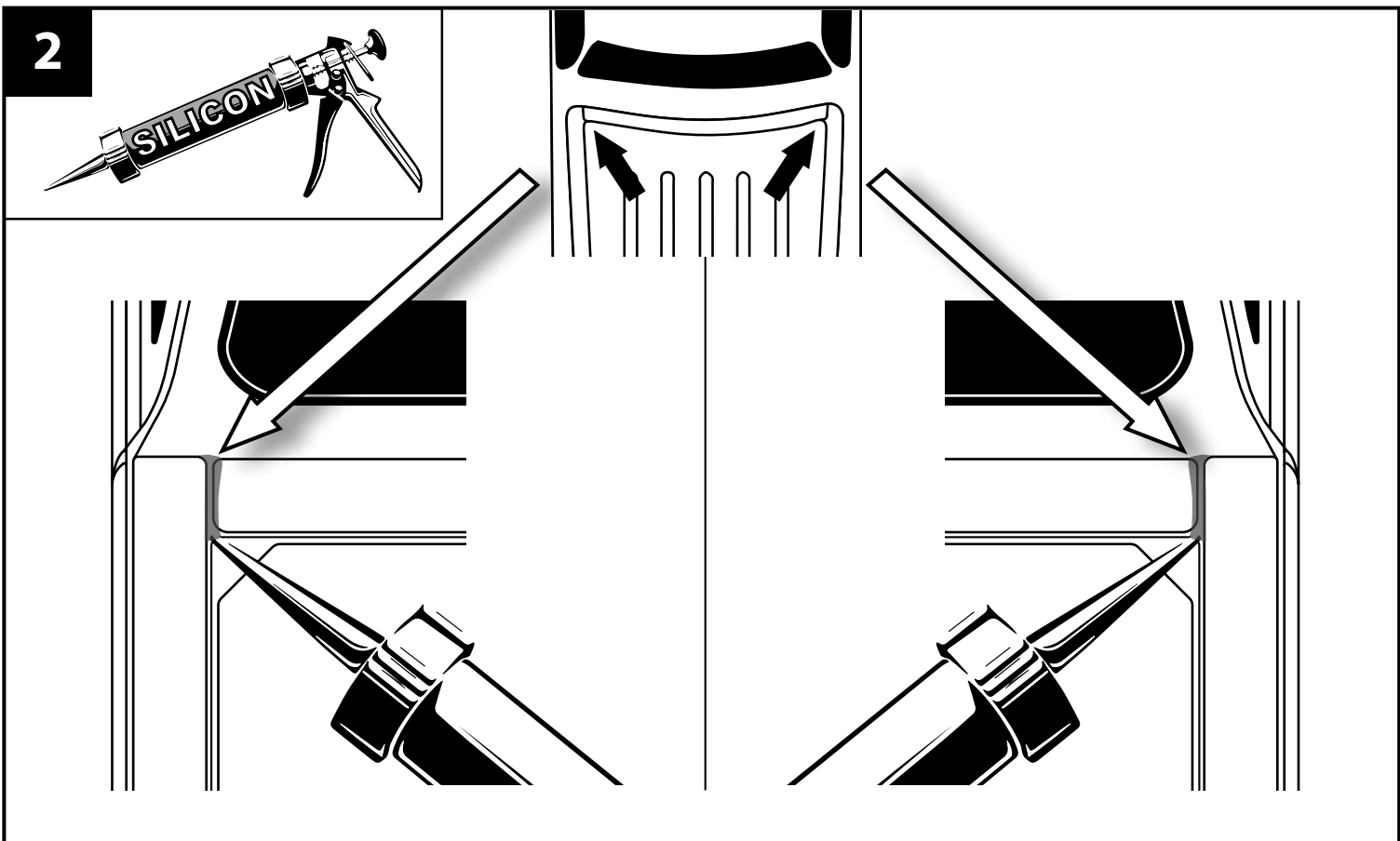
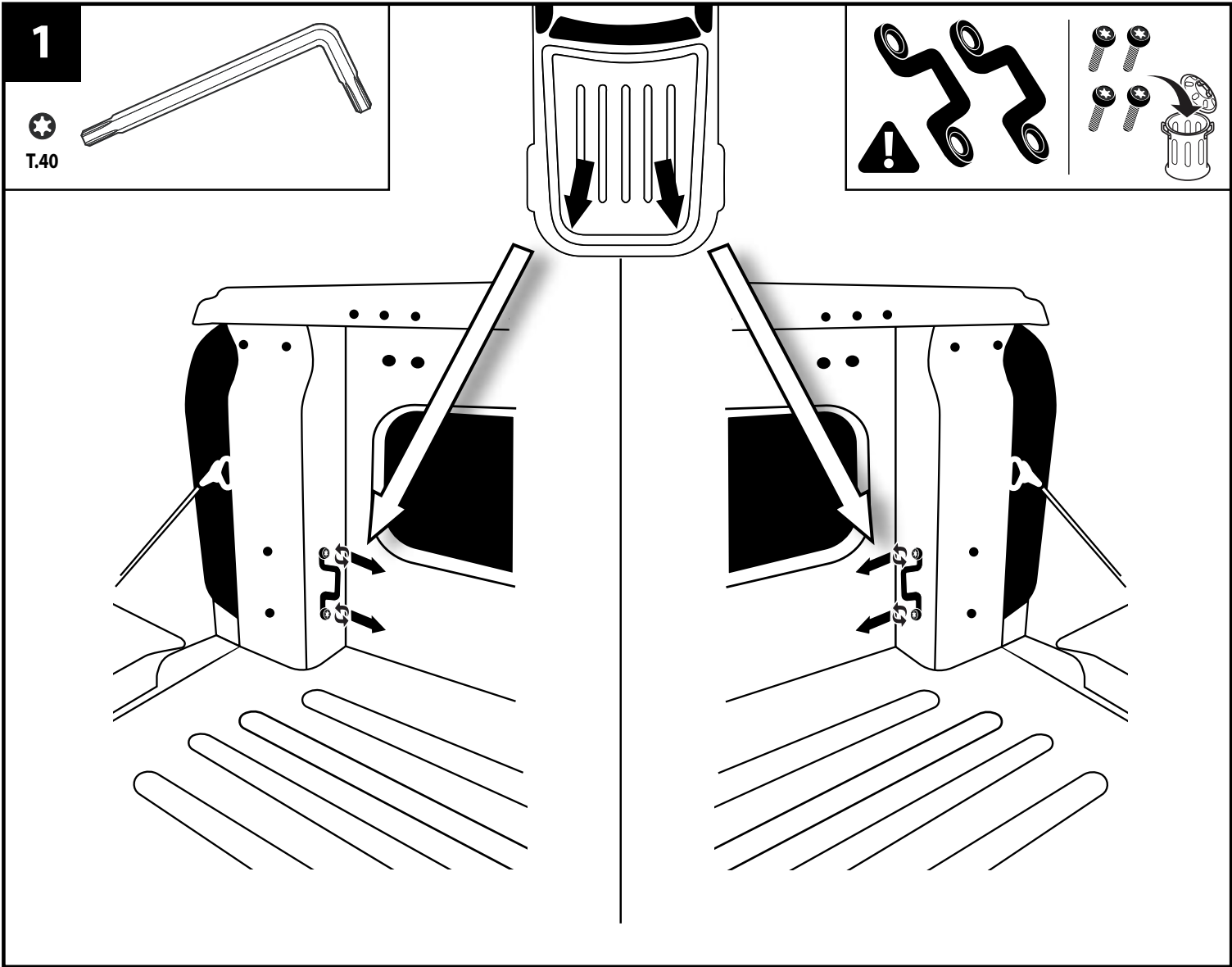
2023

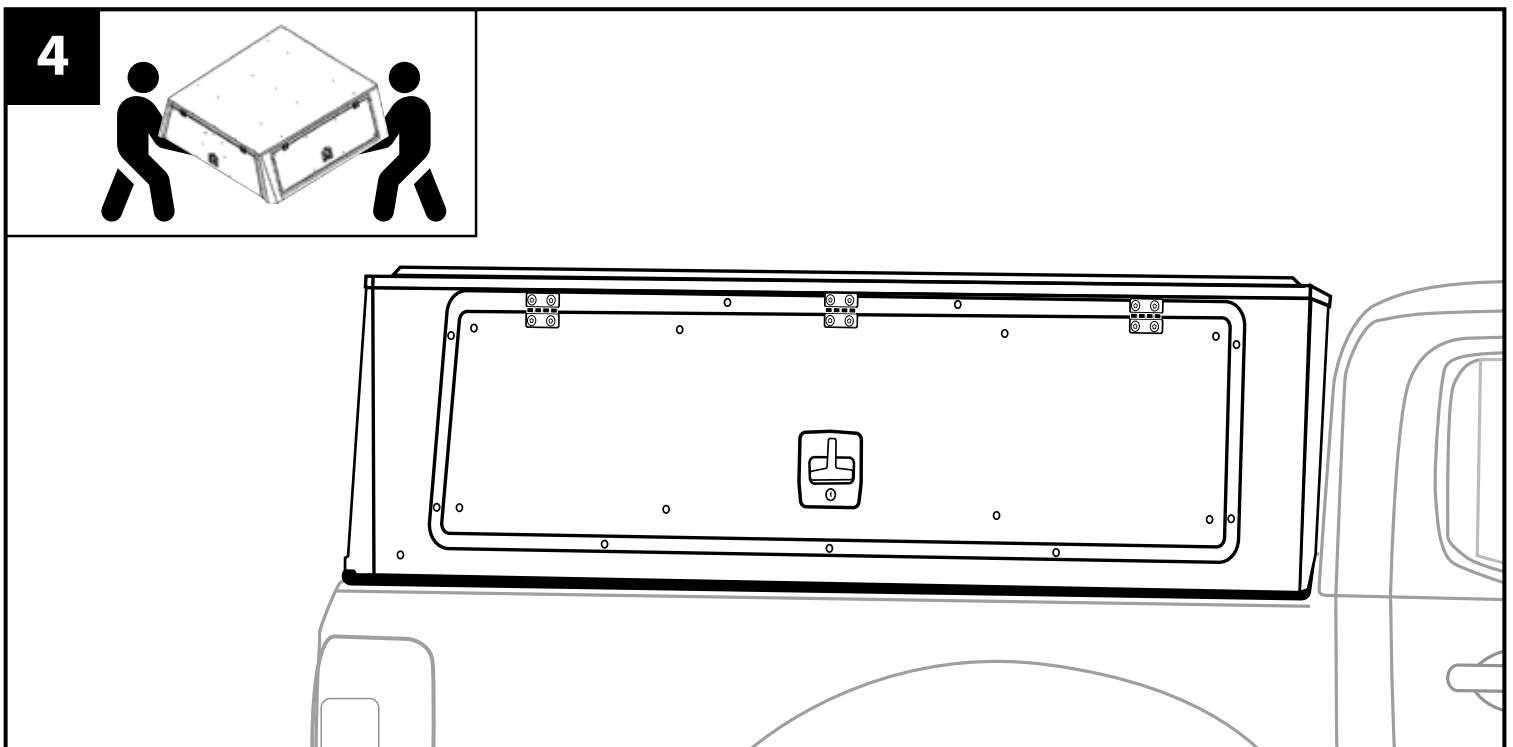
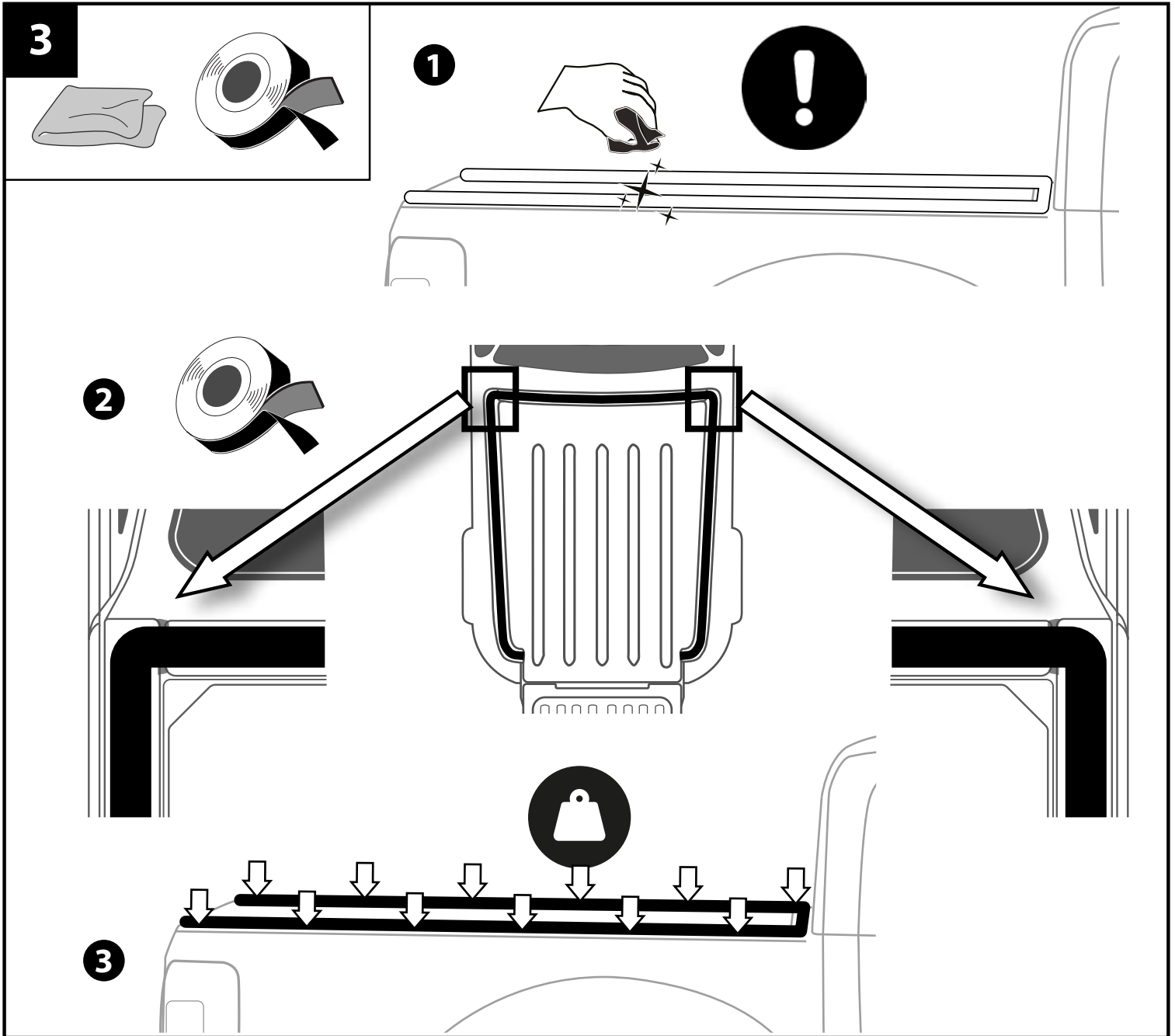


INSTALLATION MANUAL ALUMINIUM CANOPY
Fit Time: 120 mins

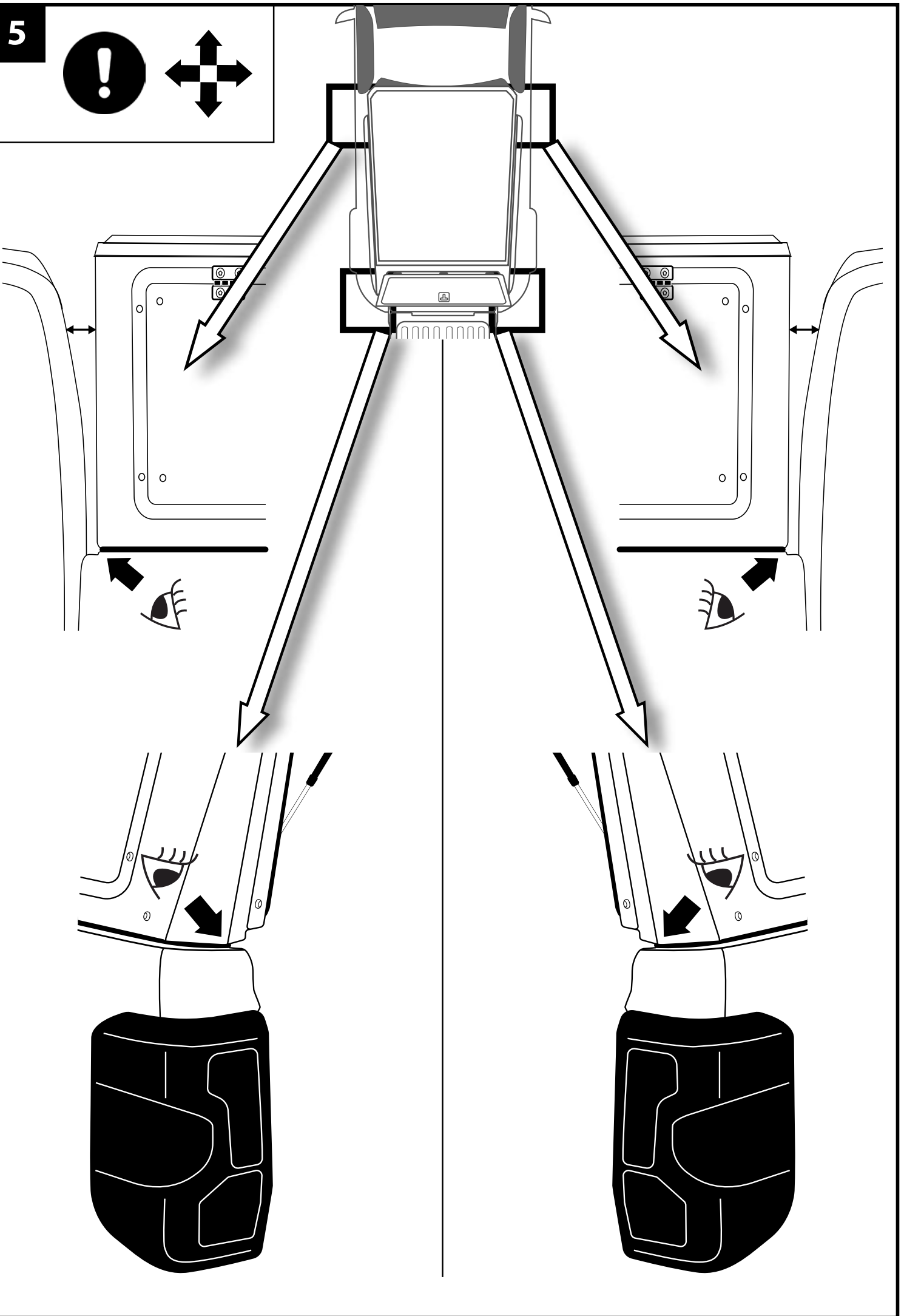
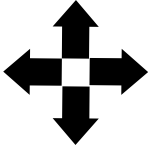
F6-HT2SALU-BMATT





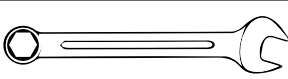


5



6

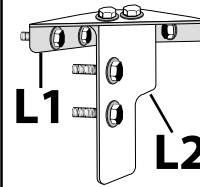
No13



(25 Nm)

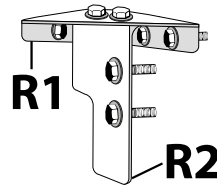


8x30 (20) 8x25 (4) M8(4) d8 (24) d8 (20)



L1

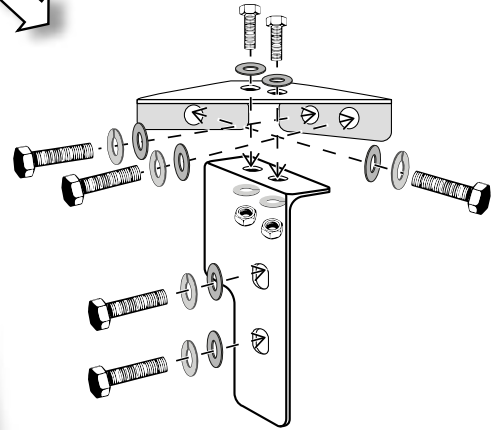
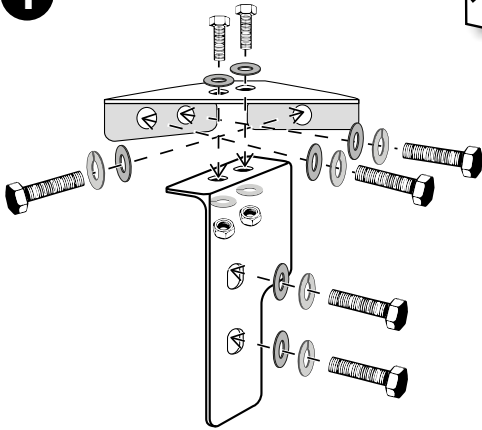
L2



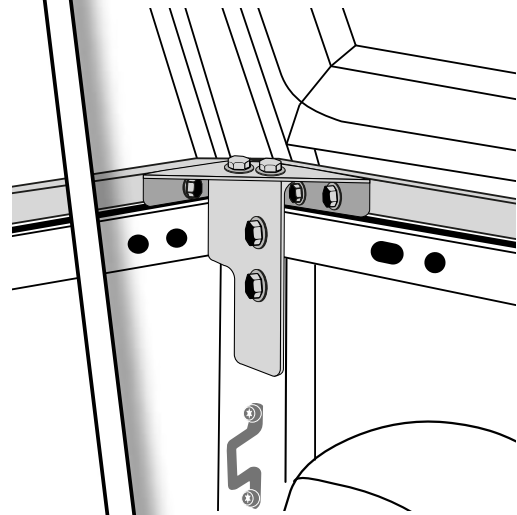
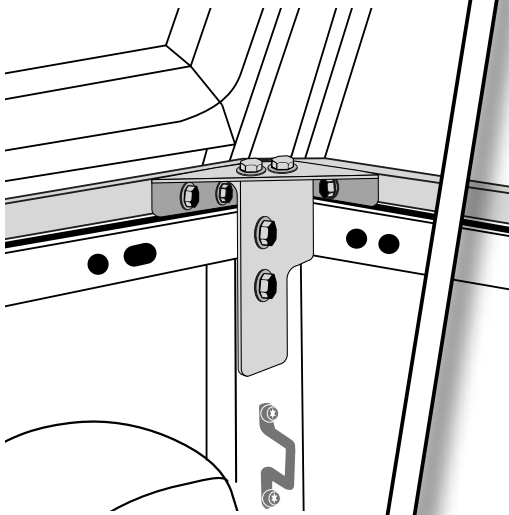
R1

R2

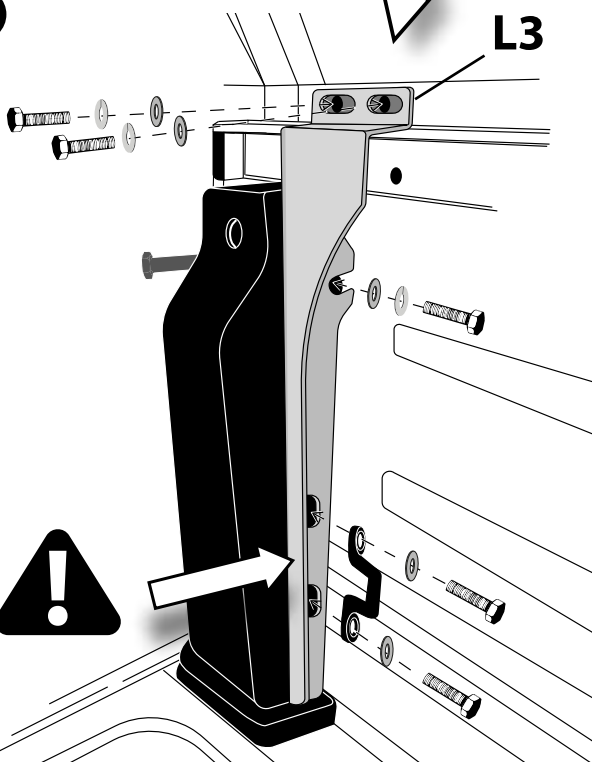
1



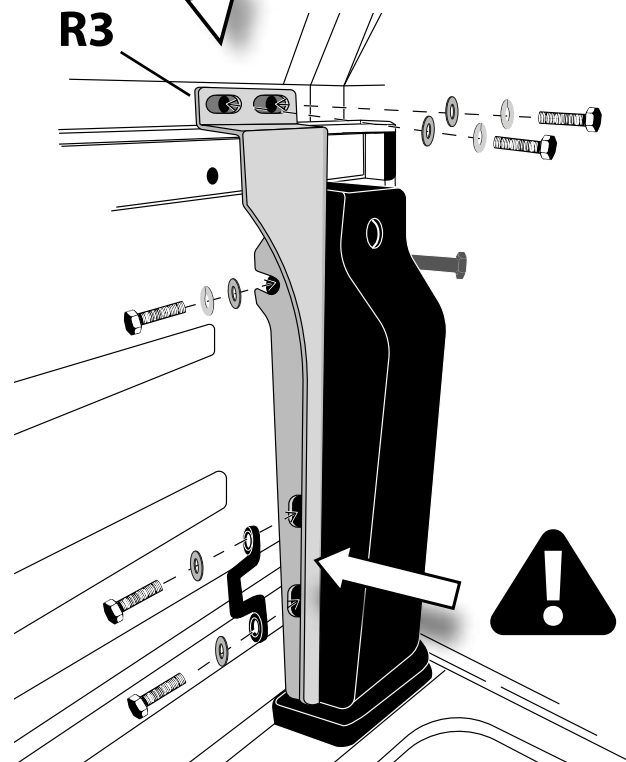
2



3



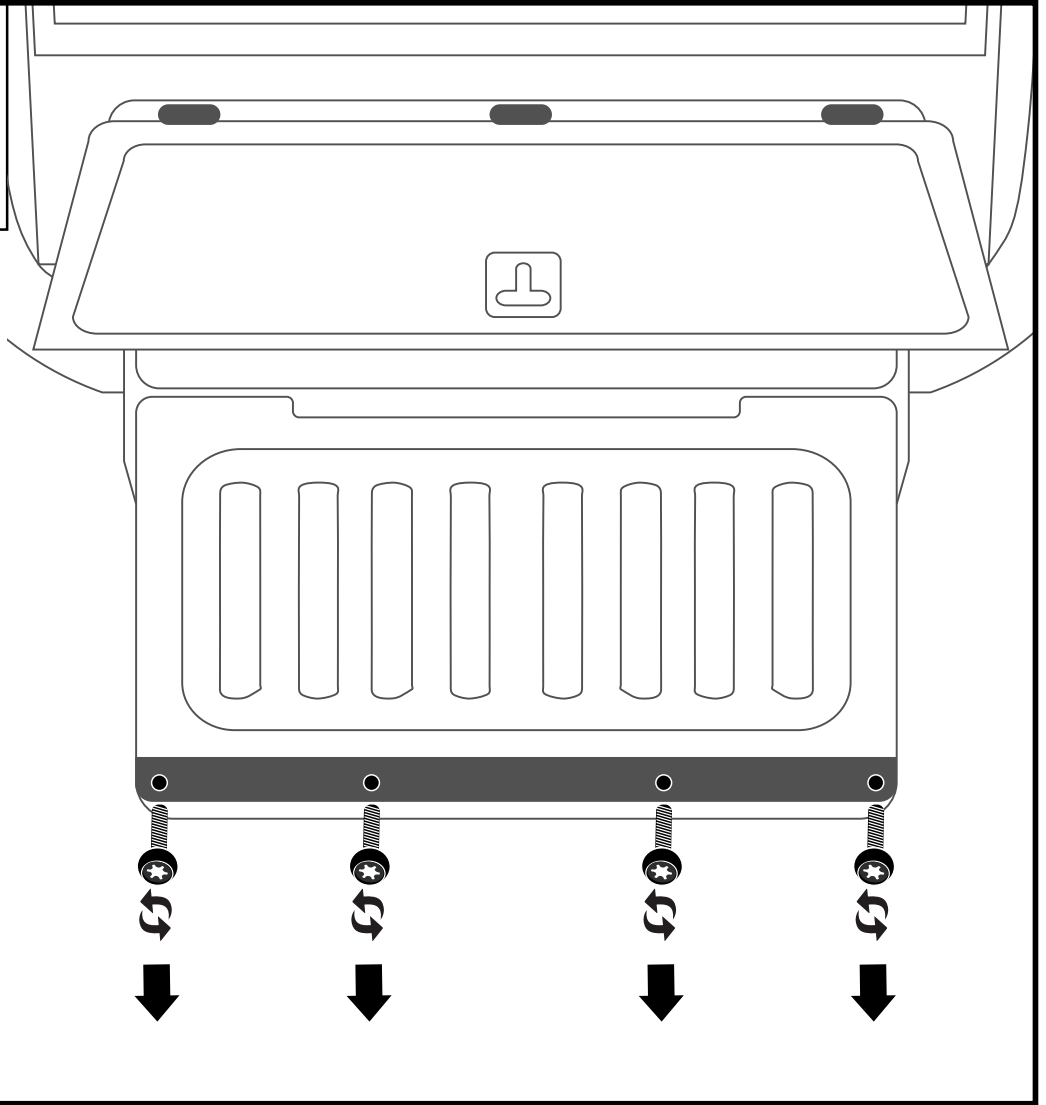
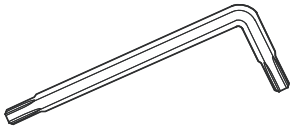
L3



R3

7

T.30

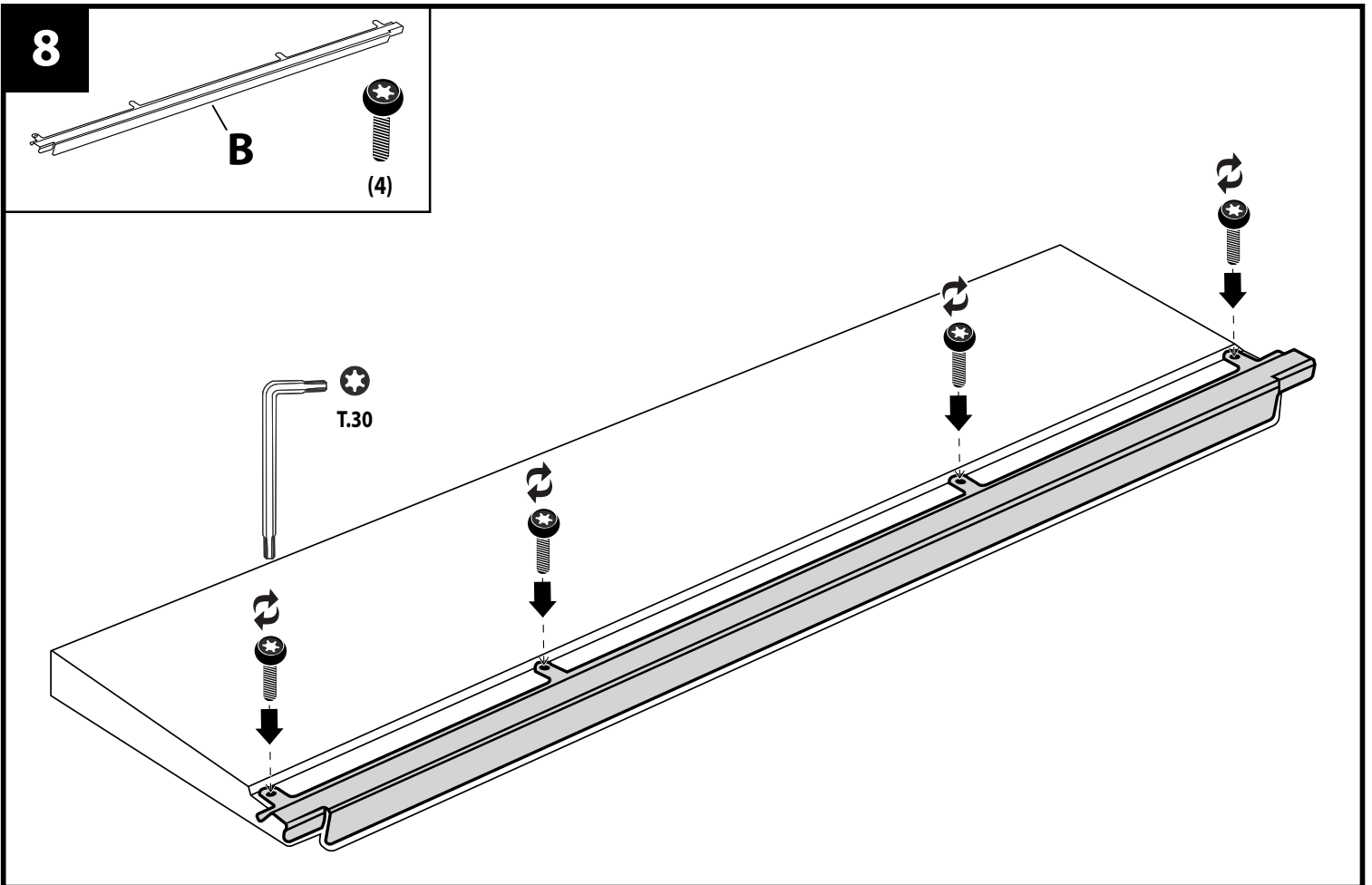


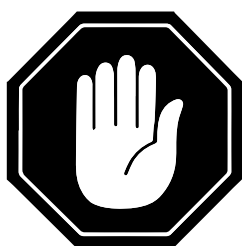
8

B

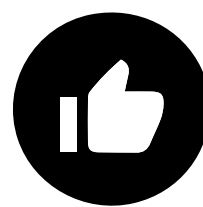
(4)

T.30





25 Nm



PICKUPATTITUDE.COM

QUESTIONS BEFORE INSTALLATION ?



CONTACT@PICKUPATTITUDE.COM

+33 4 94 00 37 00

